



# MOUNTING INSTRUCTIONS

## Hand towel dispenser

Handdoekdispenser

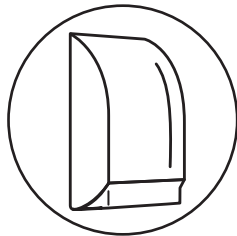
Handtuchspender

Distributeur essuie-mains

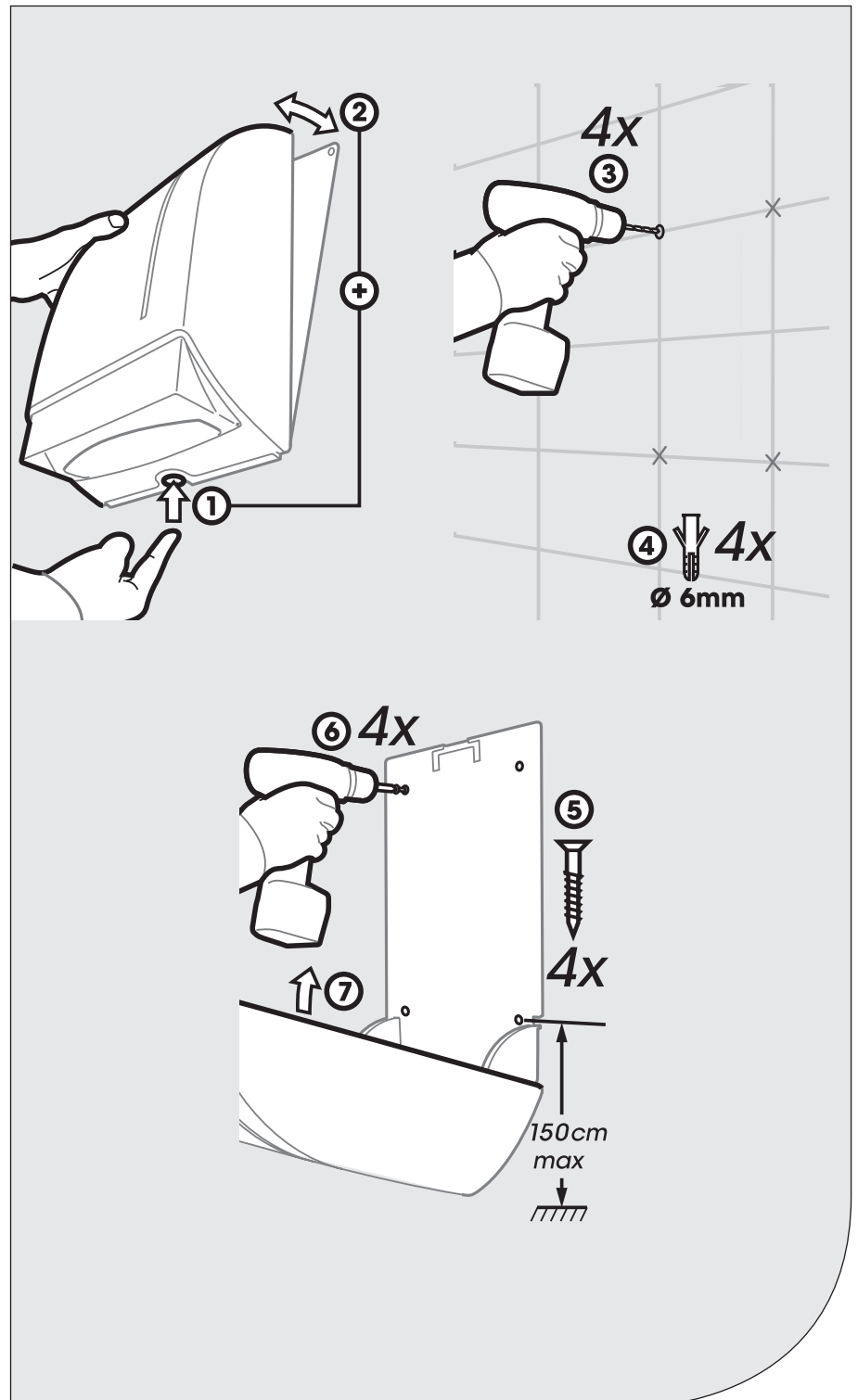
Item No.

331930

332770



PT30



WEPA Professional GmbH

Rönkhäuserstraße 26

D 59757 ARNSBERG

[www.blacksatino.eu](http://www.blacksatino.eu)

[info@blacksatino.eu](mailto:info@blacksatino.eu)