



MOUNTING INSTRUCTIONS

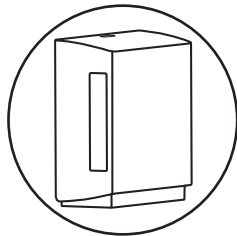
Hand towel dispenser Z-fold

Handdoekdispenser z-vouw

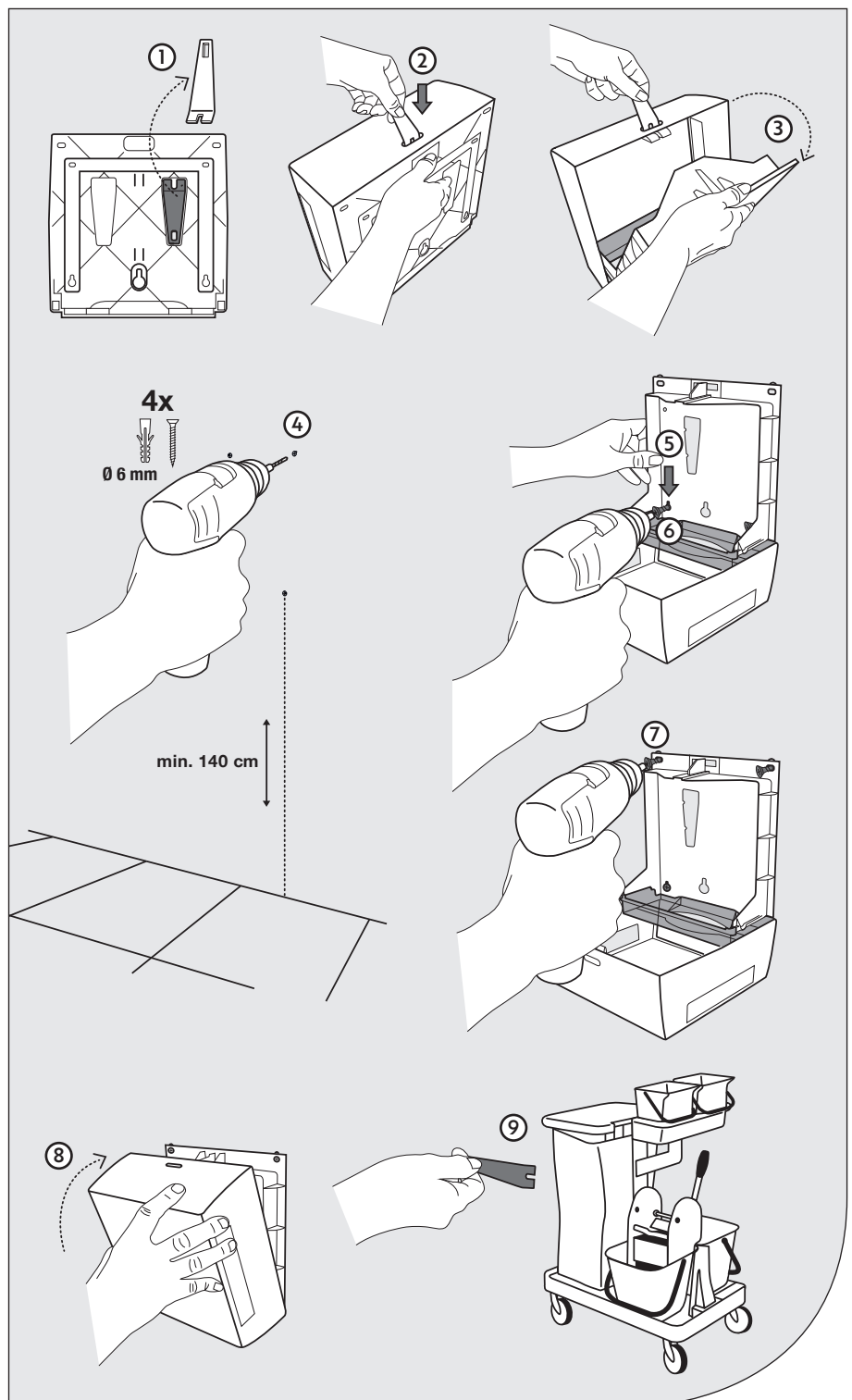
Handtuchspender Z-Falz

Distributeur essuie-mains pliage Z

Item No.
332070



PT20



WEPA Professional GmbH
Rönkhäuserstraße 26
D 59757 ARNSBERG

www.blacksatino.eu
info@blacksatino.eu