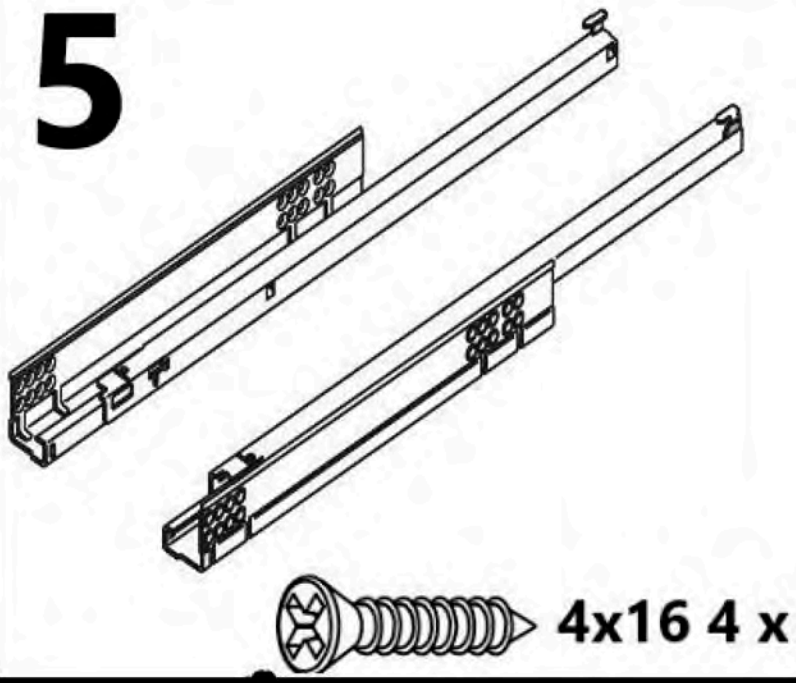
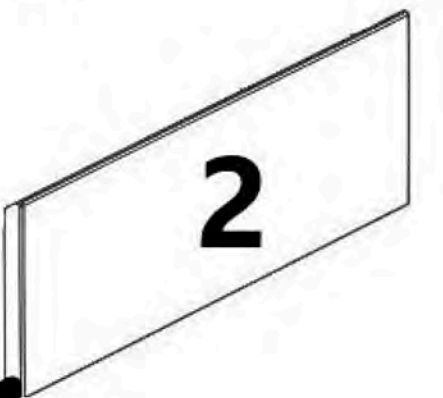
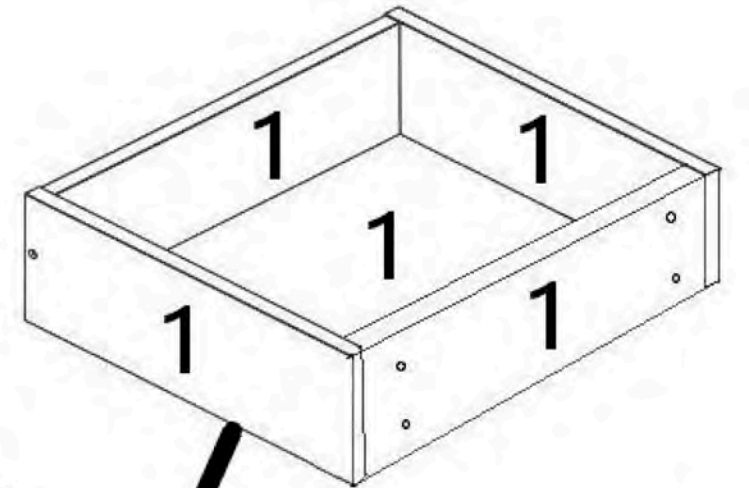


5



3332-92

883 mm
420 mm



905 mm

2

2

4

4

4

4

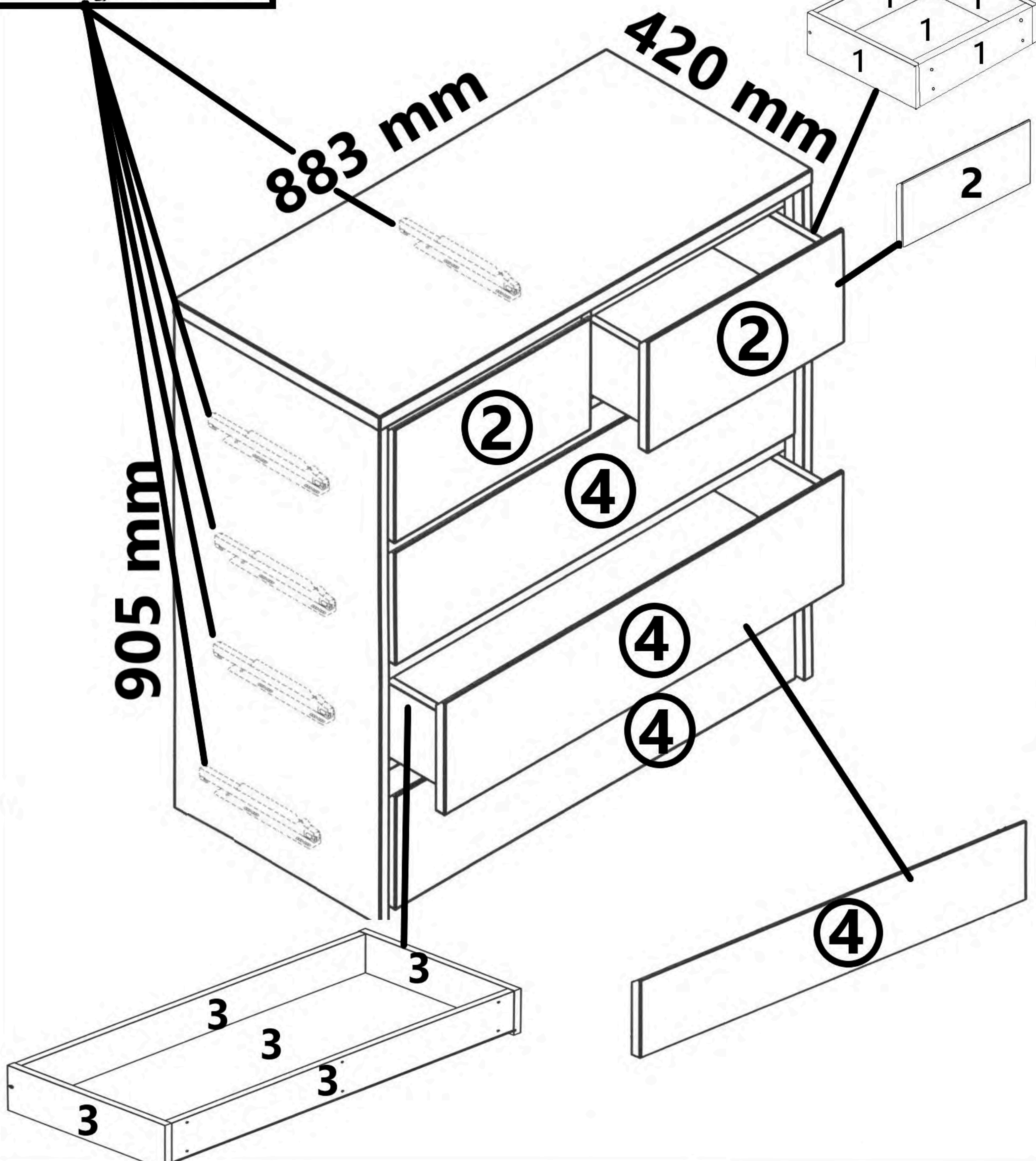
3

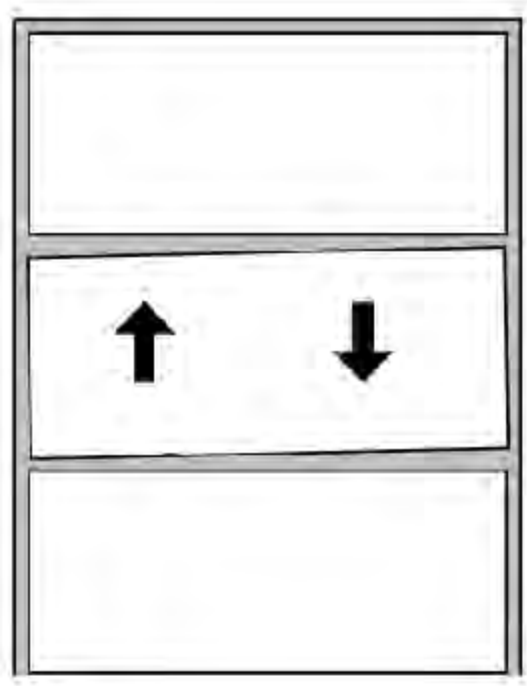
3

3

3

3





+ - 2 mm

